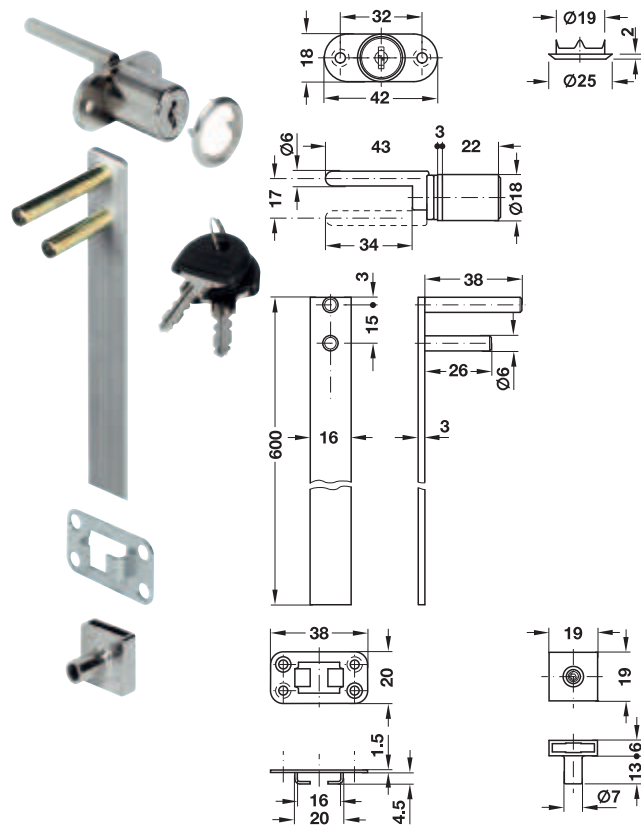


Central locking rotary lock

For installation in front panel



- > Material: Zinc alloy
- > Finish: Matt nickel plated
- > Travel: 17 mm
- > Cylinder length: 22 mm
- > Cylinder Ø: 18 mm
- > Closure travel: Key and lifting pin 180°
- > Locking system: With 6 plate levers, key can be removed in open and locked position
- > Key change: 2,600 different key changes possible
- > Installation: For screw fixing

→ **Standard profile**

Supplied with

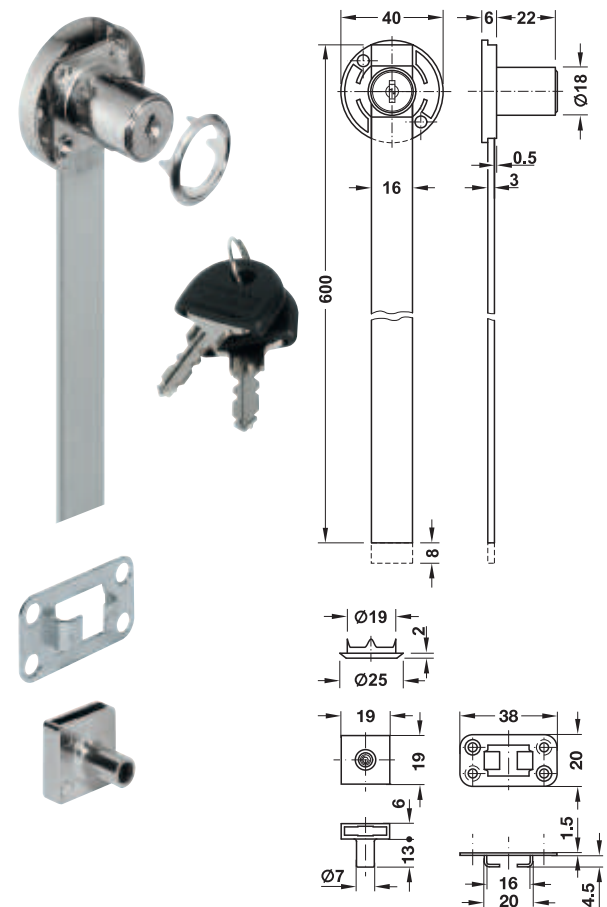
- 1 central locking rotary lock
- 2 keys with key caps
- 1 cylinder rosette
- 1 central locking bar, 600 mm long
- 2 bar guides
- 3 arresting pins

Key change	Cat. No.
Keyed to differ	234.99.600

Packing: 1 or 20 pieces

Central locking rotary lock

For installation in cabinet side panel



- > Area of application: For installation in cabinet side panel
- > Version: With aluminium bar, 600 mm long
- > Material: Lock case and cylinder: Zinc alloy, bar: Aluminium
- > Finish: Lock case and cylinder: Matt nickel plated
- > Travel: 8 mm
- > Cylinder length: 22 mm
- > Cylinder Ø: 18 mm
- > Locking system: With 6 plate levers, key can be removed in open and locked position
- > Key change: 2,600 different key changes possible
- > Installation: For screw fixing

→ **Standard profile**

Supplied with

- 1 central locking rotary lock
- 2 keys with key caps
- 1 cylinder rosette
- 2 bar guides
- 3 arresting pins

Key change	Cat. No.
Keyed to differ	237.47.600

Packing: 1 or 20 pieces

Furniture lock accessories	▶ FF 5.139
© arresting pins	▶ FF 5.142
ⓓ bar guides	▶ FF 5.142
Drawer catches	▶ FF 5.146



5

Furniture Locks